

Installation Note

HP E4406A Transmitter Tester
HP E4406-60115 Standard Slide Kit



HP Part Number E4406-90047 Supersedes: None
Printed in USA June 1999

Description

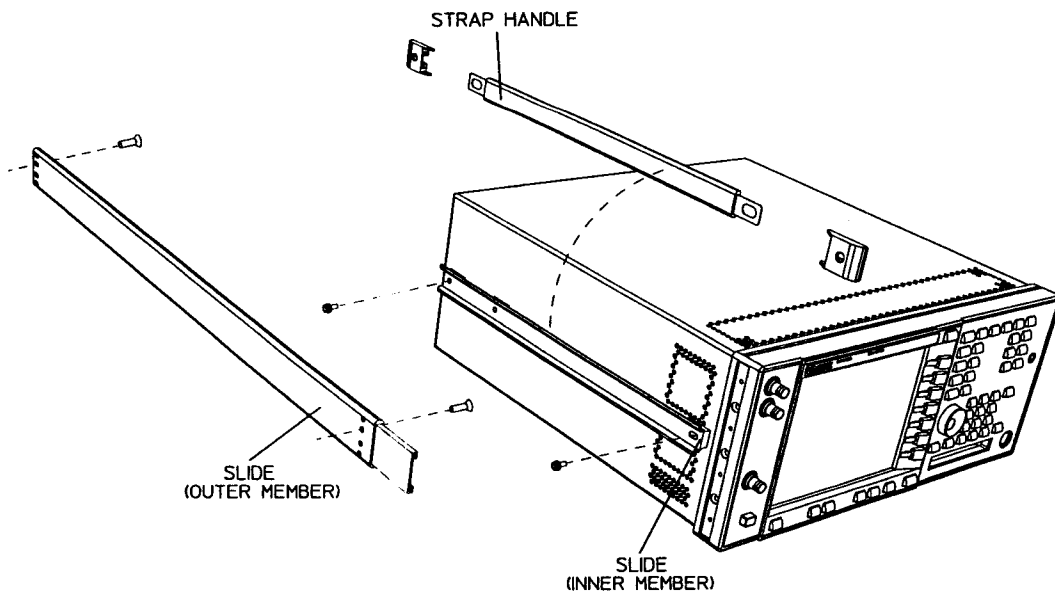
The HP E4406-60115 Standard Slide kit contains the parts and documentation needed to install the HP E4406A Transmitter Tester into an HP System (instrument) cabinet (345.4D & 421.6D).

Kit Contents:

Quantity	Description	Part Number
1 pair	Modified slides	
4	M5 x 20 Pan head screw (TORX)	0515-0688
4	M4 x 12 Pan head screw	0515-0909
4	M4 x 12 Flat head screw	0515-1013
8	M4 Unistrut nut	0535-0080
1	Installation Note	E4406-90047

Installation Procedure

1. Remove the side strap handles.
2. Attach slide (inner member) bracket to each side of the instrument using 2 M5 x 20 Pan head screws (0515-0688) per side.
3. Insert 2 Unistrut nuts in each of the 4 vertical columns (old HW racks).
4. Attach slide (outer member) to each side of the rack using 2 M4 x 12 Flat head screws (0515-1013) in front and 2 M4 x 12 Pan head screws (0515-0909) in the rear to the Unistrut nuts.



da81a